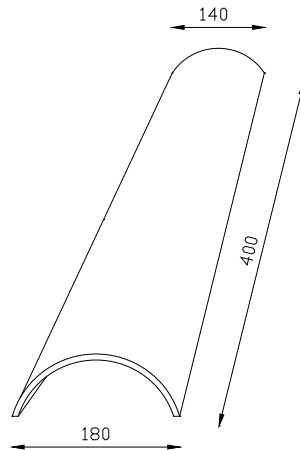


## TECHNICAL SHEET FOR BAKED CLAY ROOFING TILES AND AUXILIARY EQUIPMENT

Signature and stamp



07



Sketch of the piece  
Dimensions in mm.



Vº Bº  
TEJAS PÉREZ GARCÍA, S.A.

TYPE OF THE PRODUCT	Baked Clay Curved Roof Tile Cane 400 x 180 x 140 mm.
COMERCIAL NAME	STANDARD ROOF TILE CANE

### TECHNICAL INFORMATION

Characteristic	Checking method	Performance Guaranteed by Tejas Pérez García, S.A.	Harmonised Technical Specifications (UNE-EN 1304)	
<b>STRUCTURE CHARACTERISTICS (% DEFECTS)</b>	UNE-EN 1304	≤ 2,5 %	≤ 2,5 %	
<b>NOMINAL DIMENSIONS</b>	UNE-EN 1024	Length	400 mm.	
		Max. Width	180 mm.	
		Min. Width	140 mm.	
		Length Tolerance	± 2,0 %	± 2,0 %
<b>EVENNESS OF TRANSVERSE PROFILES</b>	UNE-EN 1024	≤ 15 mm.	≤ 15 mm.	
<b>STRAIGHTNESS / WARPING</b>	UNE-EN 1024	L > 300 mm.	≤ 1,0 %	≤ 1,5 %
		L ≤ 300 mm.	-	≤ 2,0 %
<b>WATERPROOF QUALITIES (Method 1)</b>	UNE-EN 539-1	Classification	Category 1	-
		Middle value	≤ 0,1 cm³/cm²/day	≤ 0,5 cm³/cm²/day
		Individual value	≤ 0,2 cm³/cm²/day	≤ 0,6 cm³/cm²/day
<b>FLEXURAL STRENGTH</b>	UNE-EN 538	≥ 2000 N	≥ 1000 N	
<b>FROSTING RESISTANCE</b>	UNE-EN 539-2 (Method E)	Classification	Level 2	Level 1
		Nº of cycles exceeded	≥ 90 cycles	≥ 30 cycles
<b>REACTION TO FIRE</b>	UNE-EN 13501-1	Class A1		
<b>BEHAVIOUR TO FIRE</b>	UNE-EN 13501-5	B <sub>roof</sub>		

SPECIAL PIECES:

COMMENTS: Roof installation according to UNE 136020

Data information from the construction work we have provided the material to, which has the photocopied technical information included here: The current document should be signed and stamped by the manufacturer to obtain a final qualification of the construction work: