

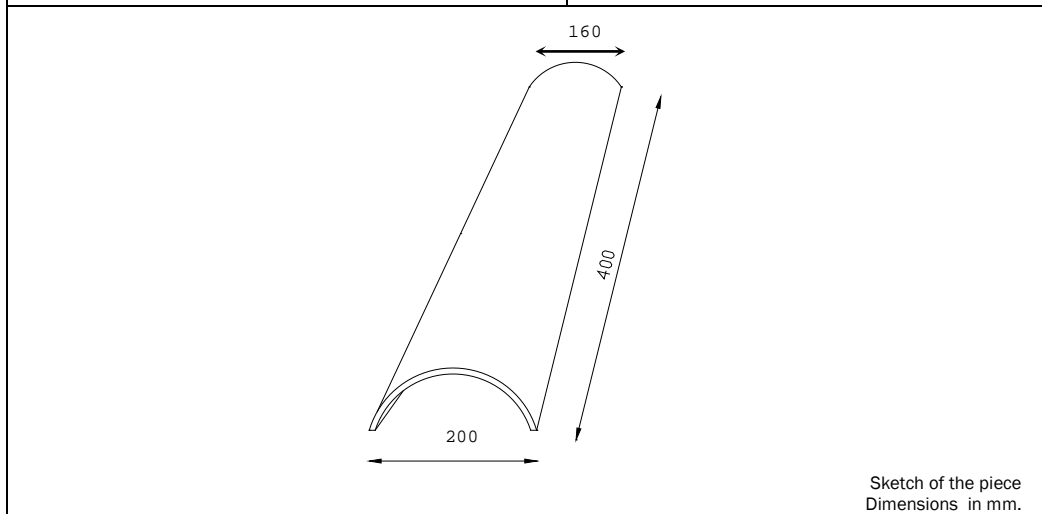


TECHNICAL SHEET FOR BAKED CLAY ROOFING TILES AND AUXILIARY EQUIPMENT

Signature and stamp

Data information from the construction work we have provided the material to, which has the photocopied technical information included here:
The current document should be signed and stamped by the manufacturer to obtain a final qualification of the construction work:

INFORMATION OF THE MANUFACTURER	INFORMATION OF THE PRODUCTION CENTRE	 07
MANUFACTURER: TEJAS PÉREZ GARCÍA, S.A.	MANUFACTURER: TEJAS PÉREZ GARCÍA, S.A.	
ADRESS: Camino del Pozuelo, S/N	ADRESS: Camino del Pozuelo, S/N	
PO Box / Location: 23710 / Bailén (Jaén)	PO Box / Location: 23710 / Bailén (Jaén)	



Vº Bº
TEJAS PÉREZ GARCÍA, S.A.

DESIGNACIÓN DEL MODELO	Baked Clay Curved Roof Tile Red 400 x 200 x 160 mm.
NOMBRE COMERCIAL	LARGE ROOF TILE RED

TECHNICAL INFORMATION

Characteristic	Checking method	Performance Guaranteed by Tejas Pérez García, S.A.	Harmonised Technical Specifications (UNE-EN 1304)
STRUCTURE CHARACTERISTICS (% DEFECTS)	UNE-EN 1304	≤ 2,5 %	≤ 2,5 %
NOMINAL DIMENSIONS	UNE-EN 1024	Length	400 mm.
		Max. Width	200 mm.
		Min. Width	160 mm.
		Length Tolerance	± 2,0 %
EVENNESS OF TRANSVERSE PROFILES	UNE-EN 1024	≤ 15 mm.	≤ 15 mm.
STRAIGHTNESS / WARPING	UNE-EN 1024	L > 300 mm.	≤ 1,0 %
		L ≤ 300 mm.	-
WATERPROOF QUALITIES (Method 1)	UNE-EN 539-1	Classification	Category 1
		Middle value	≤ 0,1 cm³/cm²/day
		Individual value	≤ 0,2 cm³/cm²/day
FLEXURAL STRENGTH	UNE-EN 538	≥ 2000 N	≥ 1000 N
FROSTING RESISTANCE	UNE-EN 539-2 (Method E)	Classification	Level 2
		Nº of cycles exceeded	≥ 90 cycles
REACTION TO FIRE	UNE-EN 13501-1	Class A1	
BEHAVIOUR TO FIRE	UNE-EN 13501-5	B _{roof}	

SPECIAL PIECES:

COMMENTS: Roof installation according to UNE 136020