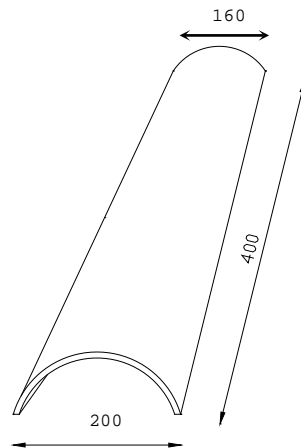


TECHNICAL SHEET FOR BAKED CLAY ROOFING TILES AND AUXILIARY EQUIPMENT

Signature and stamp



07



Sketch of the piece
Dimensions in mm.



Vº Bº
TEJAS PÉREZ GARCÍA, S.A.

| | |
|---------------------|--|
| TYPE OF THE PRODUCT | Baked Clay Curved Roof Tile Cane 400 x 200 x 160 mm. |
| COMERCIAL NAME | LARGE ROOF TILE CANE |

TECHNICAL INFORMATION

| Characteristic | Checking method | Performance Guaranteed by Tejas Pérez García, S.A. | Harmonised Technical Specifications (UNE-EN 1304) | |
|--|-------------------------|--|---|-------------------|
| STRUCTURE CHARACTERISTICS (% DEFECTS) | UNE-EN 1304 | ≤ 2,5 % | ≤ 2,5 % | |
| NOMINAL DIMENSIONS | UNE-EN 1024 | Length | 400 mm. | |
| | | Max. Width | 200 mm. | |
| | | Min. Width | 160 mm. | |
| | | Length Tolerance | ± 2,0 % | ± 2,0 % |
| EVENNESS OF TRANSVERSE PROFILES | UNE-EN 1024 | ≤ 15 mm. | ≤ 15 mm. | |
| STRAIGHTNESS / WARPING | UNE-EN 1024 | L > 300 mm. | ≤ 1,0 % | ≤ 1,5 % |
| | | L ≤ 300 mm. | - | ≤ 2,0 % |
| WATERPROOF QUALITIES (Method 1) | UNE-EN 539-1 | Classification | Category 1 | - |
| | | Middle value | ≤ 0,1 cm³/cm²/day | ≤ 0,5 cm³/cm²/day |
| | | Individual value | ≤ 0,2 cm³/cm²/day | ≤ 0,6 cm³/cm²/day |
| FLEXURAL STRENGTH | UNE-EN 538 | ≥ 2000 N | ≥ 1000 N | |
| FROSTING RESISTANCE | UNE-EN 539-2 (Method E) | Classification | Level 2 | Level 1 |
| | | Nº of cycles exceeded | ≥ 90 cycles | ≥ 30 cycles |
| REACTION TO FIRE | UNE-EN 13501-1 | Class A1 | | |
| BEHAVIOUR TO FIRE | UNE-EN 13501-5 | B _{roof} | | |

SPECIAL PIECES:

COMMENTS: Roof installation according to UNE 136020

Data information from the construction work we have provided the material to, which has the photocopied technical information included here:
The current document should be signed and stamped by the manufacturer to obtain a final qualification of the construction work: