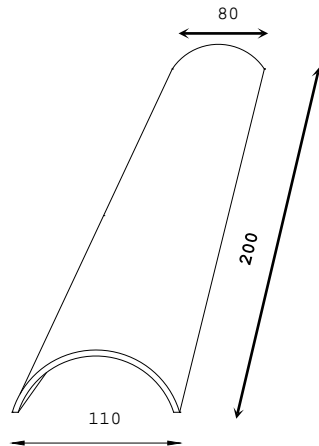


TECHNICAL SHEET FOR BAKED CLAY ROOFING TILES AND AUXILIARY EQUIPMENT

Signature and stamp



07



Sketch of the piece
Dimensions in mm.



Vº Bº
TEJAS PÉREZ GARCÍA, S.A.

TYPE OF THE PRODUCT	Baked Clay Curved Roof Tile Cane 200 x 110 x 80 mm.
COMERCIAL NAME	CANE ROOF TILE 20 CM.

TECHNICAL INFORMATION

Characteristic	Checking method	Performance Guaranteed by Tejas Pérez García, S.A.	Harmonised Technical Specifications (UNE-EN 1304)
STRUCTURE CHARACTERISTICS (% DEFECTS)	UNE-EN 1304	≤ 2,5 %	≤ 2,5 %
NOMINAL DIMENSIONS	UNE-EN 1024	Length	200 mm.
		Max. Width	110 mm.
		Min. Width	80 mm.
		Length Tolerance	± 2,0 %
EVENNESS OF TRANSVERSE PROFILES	UNE-EN 1024	≤ 15 mm.	≤ 15 mm.
STRAIGHTNESS / WARPING	UNE-EN 1024	L > 300 mm.	≤ 1,0 %
		L ≤ 300 mm.	-
WATERPROOF QUALITIES (Method 1)	UNE-EN 539-1	Classification	Category 1
		Middle value	≤ 0,1 cm³/cm²/day
		Individual value	≤ 0,2 cm³/cm²/day
FLEXURAL STRENGTH	UNE-EN 538	≥ 2000 N	≥ 1000 N
FROSTING RESISTANCE	UNE-EN 539-2 (Method E)	Classification	Level 2
		Nº of cycles exceeded	≥ 90 cycles
REACTION TO FIRE	UNE-EN 13501-1	Class A1	
BEHAVIOUR TO FIRE	UNE-EN 13501-5	B _{roof}	

SPECIAL PIECES:

COMMENTS: Roof installation according to UNE 136020

Data information from the construction work we have provided the material to, which has the photocopied technical information included here: The current document should be signed and stamped by the manufacturer to obtain a final qualification of the construction work: